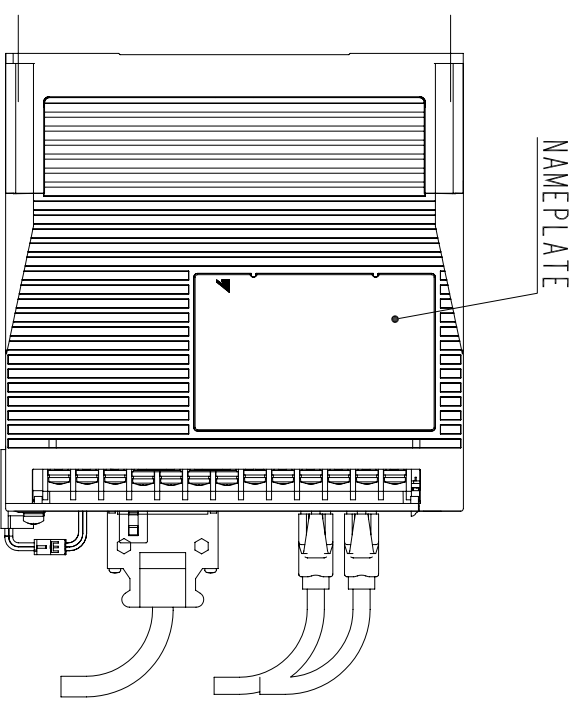
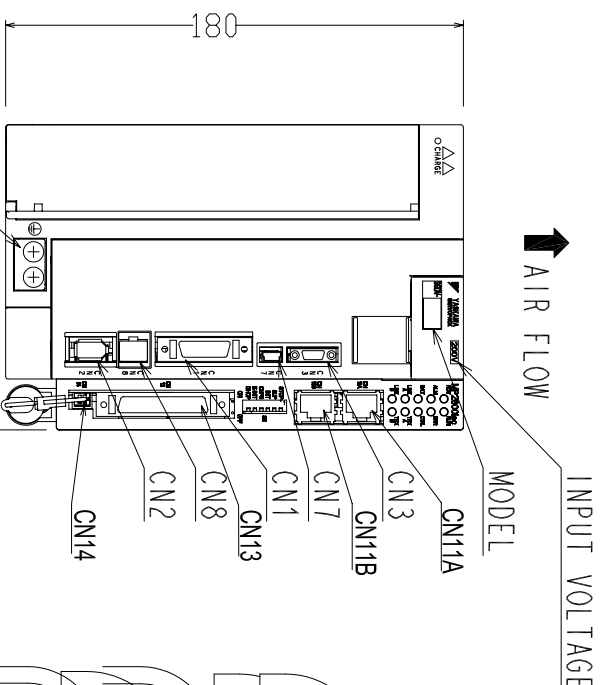


MOUNTING HOLE DIAGRAM

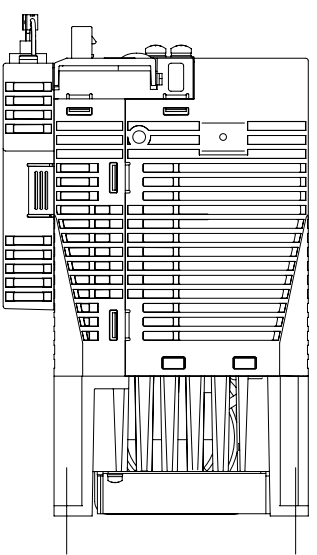


NAMEPLATE

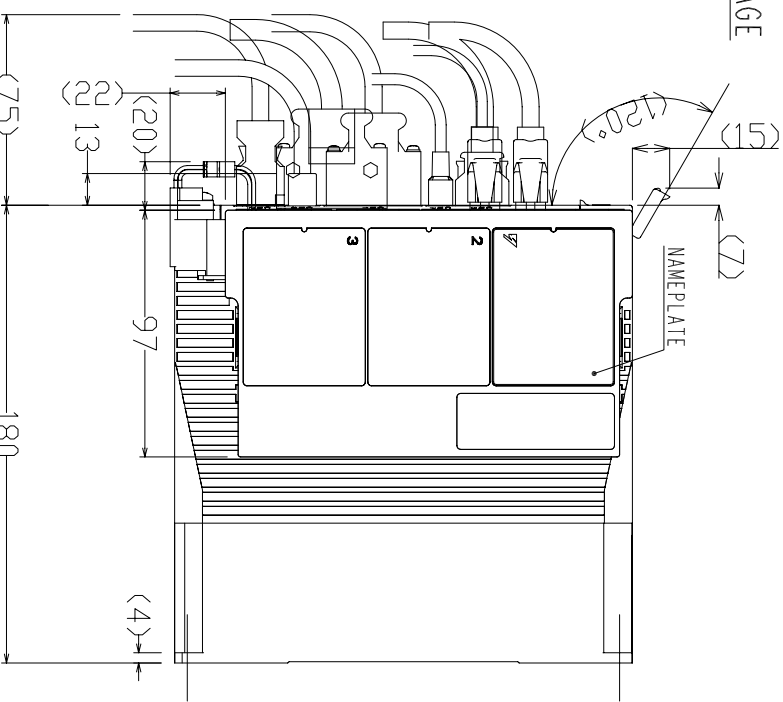


AIR FLOW

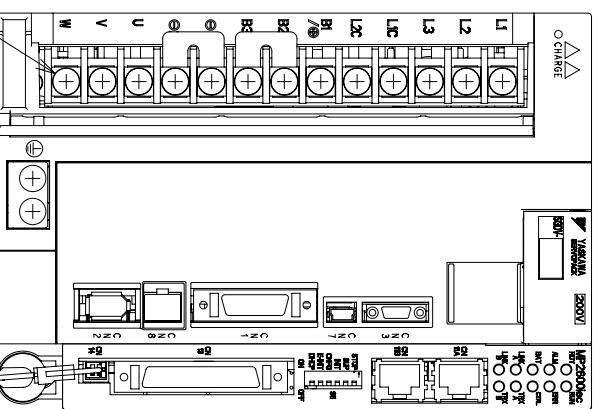
INPUT VOLTAGE



NAMEPLATE



AIR FLOW



TERMINAL  
13-M4 SCREWS

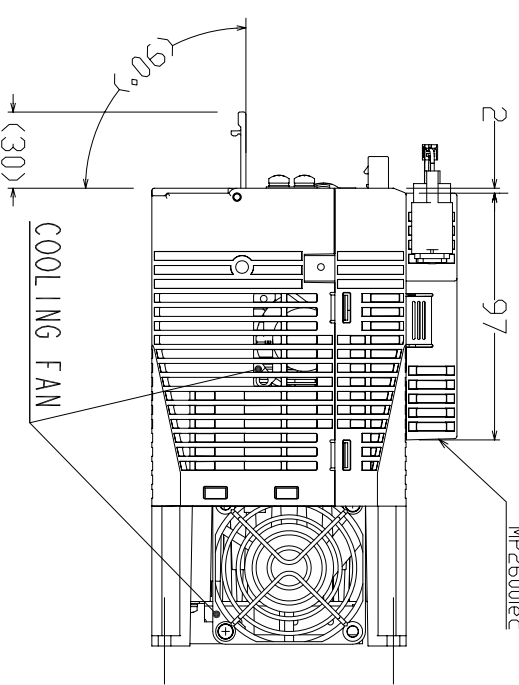
TERMINAL DETAIL  
(Not To Scale)

(NOTE 1) Refer to UDE00303 for the outline drawing of the MP2600iec option unit.

Models
SGDV-120AE1A008000300
SGDV-120AE5A008000300
SGDV-180AE1A000000300
SGDV-180AE5A000000300

MATERIAL:	TOLERANCES/REFERENCES
SPEC:	UNLESS OTHERWISE SPECIFIED
FINISH:	N/A
MODEL/S:	
REF. DIMENSIONS:	
900-048-852 <D>	UDE00303

APPROX. MASS: 3.1kg



COOLING FAN

MP2600iec

DATE	10/14/10	DATE	10/14/10	DATE	10/14/10
DRAWN:	A. SLIMAK	TECH:	D. LEE	APPROVED:	M. MORAN
CHECKED:	C. KINTNER	DATE	10/14/10	DATE	10/14/10
MODEL/S:		SIZE	B	REVISION	0
REF. DIMENSIONS:		DRAWING#	UDE00310	PAGE	1 of 1

REV#	DESCRIPTION	EG #	DRAWN BY	DATE
0	INITIAL RELEASE	EAR 20100548	S.KOJZOW	10/14/10

**YASKAWA**  
THIS DOCUMENT AND INFORMATION CONTAINED  
HEREIN ARE CONFIDENTIAL, AND CANNOT BE  
COPIED OR DISCLOSED IN WHOLE OR IN PART  
WITHOUT THE EXPRESS WRITTEN CONSENT  
OF YASKAWA AMERICA, INC.